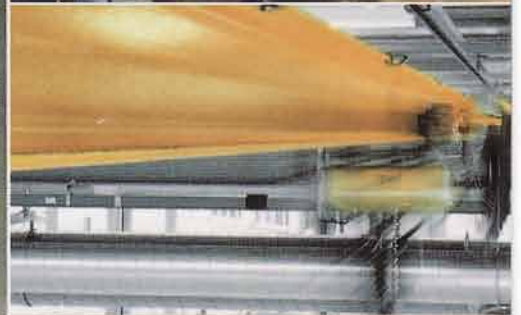
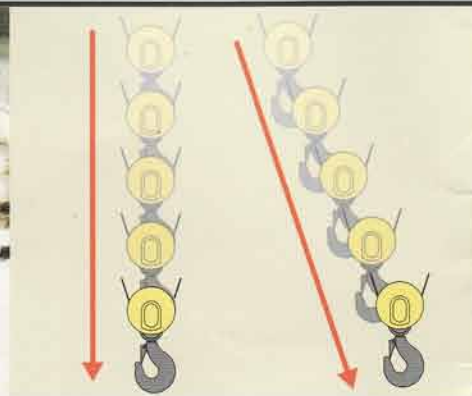


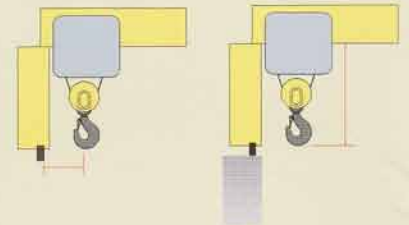
# We Lift You Up



# NOVA electric wire rope hoist



With NOVA, you don't have to worry about load sway and hook travel.



NOVA can be suited to fit your premises

-The innovative NOVA design allows for optimised motor cooling even during heavy-duty operation.

-Both the lifting motor and gear systems can be easily accessed.

NOVA H, M – Double-girder trolley with high (H) or medium connection (M)

- Minimum headroom
- Optimised headroom
- Easily accessible components

NOVA N – Single-girder trolley, standard design, normal headroom

- Ideal for installation at locations with limited lateral space
- Ideal for extreme hoisting heights and heavy loads

NOVA L – Machinery hoist

- Machinery hoist for special applications

NOVA F – Fixed hoist

For free-standing, suspended or wall-mounted installation.



Der MicroMove Frequenzumrichter, Standard bei allen NOVA-Laufkatzen, ist vom Werk voreingestellt.

# Electric wire rope hoist for loads up to 100,000 kg



NOVA L – Single-girder trolley, compact design

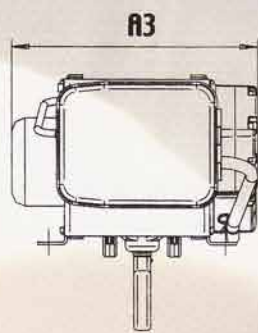
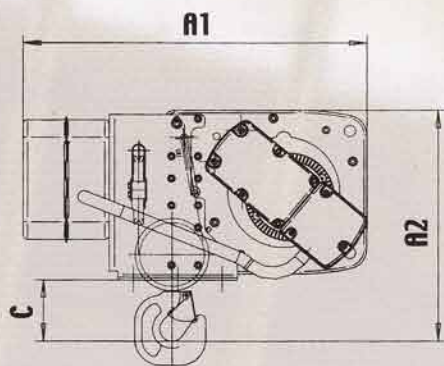
◆ Extremely low headroom

Load	Height of lift	Hoisting speed	FEM	Reeving	Type	Hoist motor	ED	Rope diameter
kg	m	m/min				kW	%	mm
2.000	6.0	5.0/0.8	2m	4/1	NB04X5AFP1	1.8	60	6.2
3.200	6.0	5.0/0.8	2m	4/1	NB04X5AFP2	3.6	60	6.2
5.000	6.0	5.0/0.8	2m	4/1	NC04X5BFP3	4.5	60	8.0
6.300	6.0	4.0/0.7	1Am	4/1	NC04X4BEP3	4.5	60	8.0
10.000	9.0	5.0/0.8	2m	4/1	ND04X5DFP5	9.0	60	11.0
12.500	9.0	4.0/0.7	1Am	4/1	ND04X4DEP5	9.0	60	11.0
16.000	8.2	4.0/0.7	2m	4/1	NE04X5CEP6	15.0	60	15.0
20.000	8.2	4.0/0.7	1Am	4/1	NE04X4CEP6	15.0	60	15.0
25.000	7.3	3.2/0.5	2m	6/1	NE06X5DFP6	15.0	60	15.0
30.000	7.3	3.2/0.5	1Am	6/1	NE06X4DFP7	18.0	60	15.0
40.000	7.2	2.5/0.4	1Am	8/1	NE08X4EFP7	18.0	60	15.0
50.000	7.4	2.0/0.3	1Bm	10/1	NE10X3FFP7	18.0	60	15.0

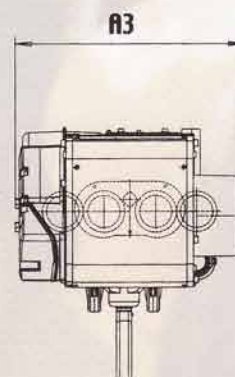
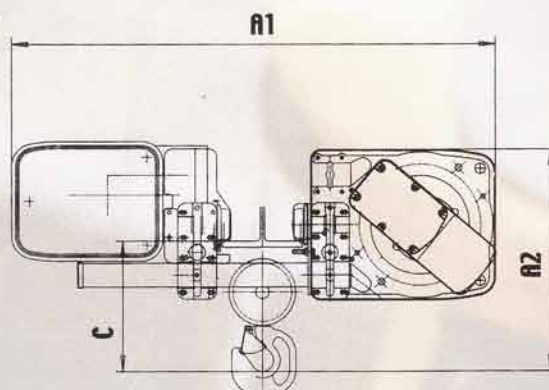
Excerpt from our product portfolio

# NOVA electric wire rope hoist

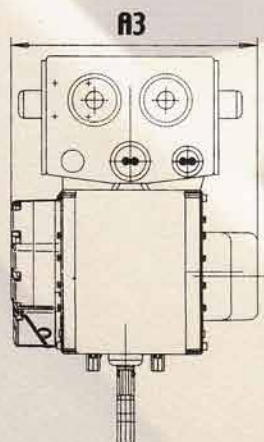
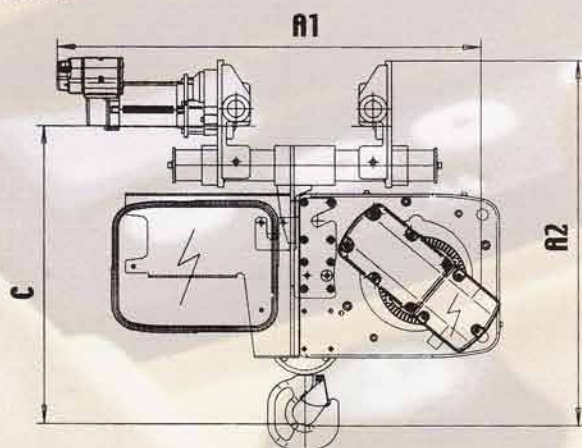
NOVA F



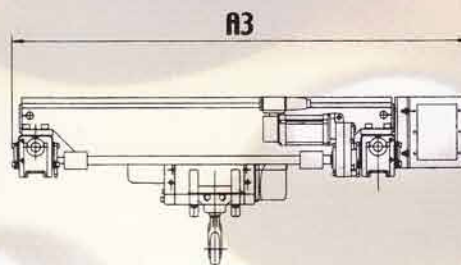
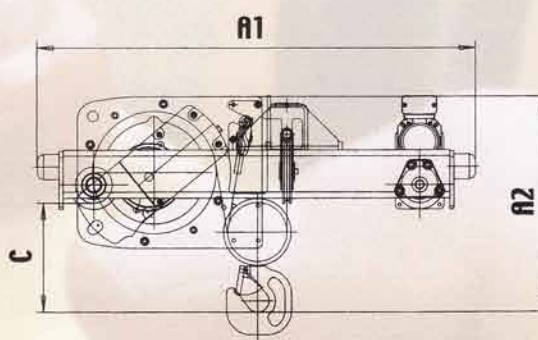
NOVA L



NOVA N



NOVA M



For dimensions, please refer to the table on the next page.  
for more detailed information, please contact SWF or our dealers.

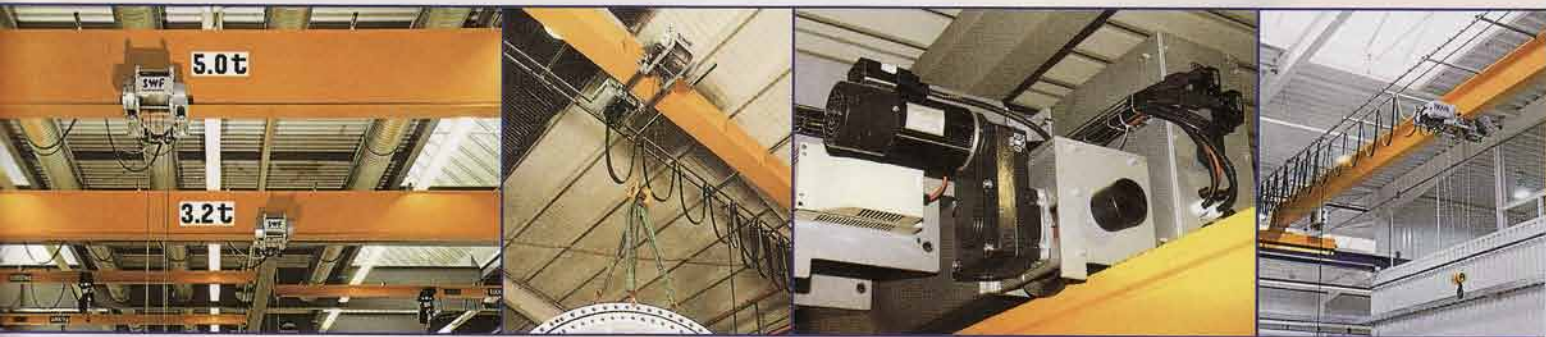
# Electric wire rope hoist for loads up to 100,000 kg

Complete product portfolio for a wide range of applications.

NOVA electric wire rope hoists are available in various designs and to suit a wide range of applications. Apart from the many extras that come with the standard model, we offer many options that allow you to customise the NOVA hoist to meet your specific requirements. For additional auxiliary and design options, please contact your local SWF agent.

## Standard equipment

- ◆ Two speed hoisting motors (6/1) with a performance up to max. 56 KW or frequency inverter HoistMaster2
- ◆ Duty cycle of lifting motors 60 %
- ◆ Lifting motors equipped with thermistors
- ◆ 4-tep geared limit switch
- ◆ Overload protection
- ◆ Trolley drive with MicroMove frequency inverter control system
- ◆ IP55 protection for motors and electrical control cubicles
- ◆ Insulation class F motors
- ◆ Single-girder trolley equipped with special safety device to prevent derailment
- ◆ Load hook with latch



Load kg	Type	Reeving	Height of lift m	A1 mm.	A2 mm.	A3 mm.	C mm.
1.600	NB02F5AFP2	2/1	12.0	778	580	558	190
1.600	NB02L5AFP2	2/1	12.0	1300	670	558	420
1.600	NB02N5AFP2	2/1	12.0	1033	885	558	735
1.600	NB02M5AFP2	2/1	12.0	1076	585	1610	320
3.200	NB04F5AFP2	4/1	6.0	778	530	558	140
3.200	NB04L5AFP2	4/1	6.0	1300	615	558	365
3.200	NB04N5AFP2	4/1	6.0	1033	835	558	685
3.200	NB04M5AFP2	4/1	6.0	1076	535	1610	270
5.000	NC04F5BFP3	4/1	6.0	936	655	589	215
5.000	NC04L5BFP3	4/1	6.0	1389	660	690	420
5.000	NC04N5BFP3	4/1	6.0	1140	954	589	804
5.000	NC04M5BFP3	4/1	6.0	1176	651	1607	350
10.000	ND04F5DFP5	4/1	9.0	1142	841	880	310
10.000	ND04L5DFP5	4/1	9.0	1586	858	1058	585
10.000	ND04N5DFP5	4/1	9.0	1271	1150	950	1000
10.000	ND04M5DFP5	4/1	9.0	1296	841	1880	421
20.000	NE04M4CEP6	4/1	8.0	1726	1460	1933	940
30.000	NE06M4DFP6	6/1	7.0	1826	1687	2251	1100
40.000	NE08M4EFP6	8/1	7.0	1826	1787	2251	1200

Excerpt from our product portfolio

# Electric chain hoist for loads between 125 and 5,000 kg



## Flexible, powerful and compact.

In our SK series, we have packed high-performance motors into a compact design. The extremely sturdy construction guarantees long service life, reliable operation and low maintenance and service costs. The drive system with variable speed control reduces swaying and allows for the careful handling of the load. Noise levels are reduced thanks to the smooth and silent running of the trolley. The SK series is equipped with a low-voltage control system and complies with all relevant safety requirements for modern lifting gear. These high quality chain hoists are particularly suitable for a wide range of special applications.

Our electric chain hoists can be customised to suit your particular needs. For this purpose, SWF offers a wide range of accessories and optional equipment. Challenge us – we are sure that we will be able to provide you with a suitable solution!

### Standard equipment

- ◆ Stationary hoist with suspended hook
- ◆ Push travel trolley
- ◆ Motor drive system with two-speed or variable speed control
- ◆ Motor travel trolley

### Standard equipment

- ◆ 2 lifting speeds (4/1)
- ◆ 2-step limit switch
- ◆ Mechanical overload protection
- ◆ Top hook
- ◆ IP55 protection
- ◆ Insulation class F motor
- ◆ 48 V contactor control
- ◆ Fully equipped with drive controls (with exception of SKalpha)
- ◆ IP65 control pendant with plug adapter and EMERGENCY-STOP
- ◆ 2-speed or variable speed drive operation (selected models only)
- ◆ Suitable for ambient temperatures of between -20 and +40°C
- ◆ Single-girder trolley equipped with drop stops
- ◆ Lifting motor with thermistor protection (SKD/E/F only)



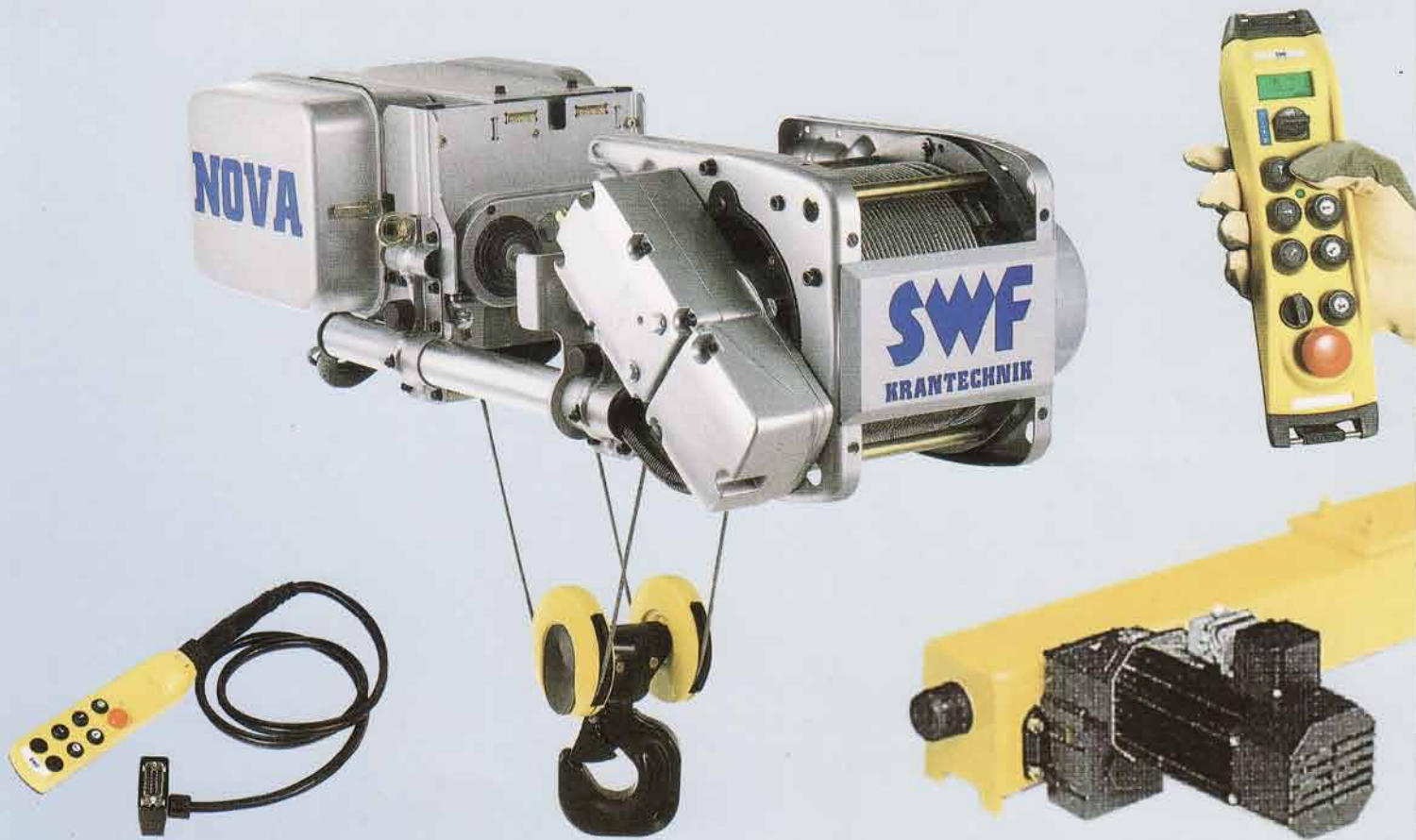
# Custom-made component kits for bridge cranes

With NOVA, you don't have to worry about load sway and hook travel.

NOVA can be suited to fit your premises.

With NOVA, loads can be lifted with minimum hook travel. The load sway is thus reduced, which enhances the safety of the operation and reduces the costs for the crane installation.

NOVA hoists offer the best approach dimensions and smallest headroom for electric hoist systems. The available space is utilised in the most efficient manner, and construction costs for premises can be reduced.



**With SWF crane components, you can achieve what has previously been impossible:**

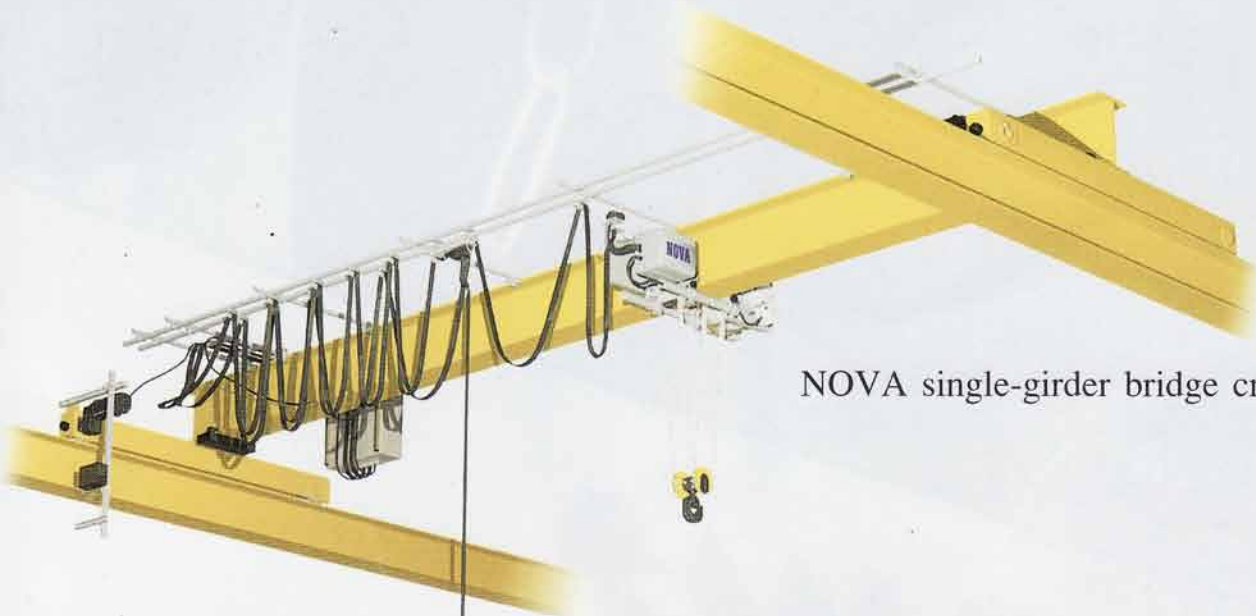
- ◆ Minimum headroom
- ◆ Individual solutions based on standardised components
- ◆ Variable trolley and crane movement
- ◆ Minimum load sway

- ◆ Reduced maintenance and downtime
- ◆ State-of-the-art inverter technology for trolleys and cranes, minimising wear on the drive units

SWF develops special components for cranes. IP55 protection and insulation class F are standard. Both the gear and motor design are based on what is technically possible today. By using SWF components, you achieve best compatibility and quality.

# SWF PRODUCT

Overhead Crane ; Gantry Crane ; Jib Crane ; Goods lift



NOVA single-girder bridge crane



NOVA double-girder bridge crane

## Complete component kits for :

- Single-girder bridge cranes
- Double-girder bridge cranes
- Single-girder underslung cranes
- For wire rope or chain hoists
- Capacities up to 100 t